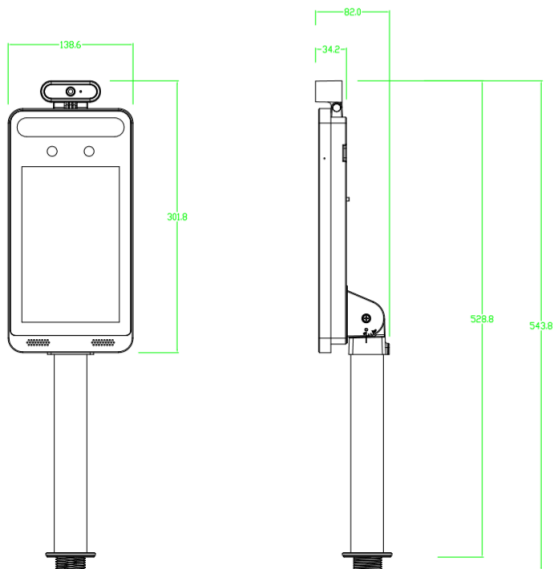


InVid Temperature Kiosks

2MP HD Temperature Measurement & Face Recognition Terminal

Features

- 8 inch LCD screen
- High-accuracy IR body temperature measurement
- Non-contact body temperature measurement
- Human-sounding voice prompt
- Real-time face mask detection
- Face liveness detection technology distinguishing real faces from non-real face spoof attacks
- Highly accurate face recognition using deep learning algorithm
- Stand-alone device, ready for networking



Shown with optional pole mount

Ordering Information

InVid Temperature Kiosk: 2 Megapixel Terminal

Performance	InVid Temperature Kiosk
OS	Embedded Linux
Storage	8Gb DDR3 + 16GB EMMC
Screen	
Display Screen	8inch LCD screen; resolution: 1280x800; contrast: 500:1
Brightness	500 lux
Control Interface	I2C
Temperature Measurement	
Temperature Measuring Range	89.6°~109.4° F (32°~43°C)
Accuracy	± (.54°F) 0.3°C
Measuring Distance	0.98~1.64Ft (0.3~0.5m)
Face Recognition	
Sensor	1/2.7
Lens	2MP dual-lens, f=3.97mm @ F1.6
Lens Mount	M12
WDR	120db
Height Range of Face Recognition	3.93-7.21Ft (1.2m-2.2m) (the recommended installation height is 4.75ft/1.45m)
Face Recognition Distance	0.98-6.56Ft (0.3m-2m)
Recognition Mode	Face: 1 N
Recognition Duration	≤ 0.5 s per person
Face Capacity	20,000
Recognition Accuracy	99.70%
Supplementary Light	
Fill-in Light	Soft white light, IR light
White Light Distance	3.28-9.84Ft (1-3m)
Smart Linkage	
Screen Wakeup	Yes
Light Adjustment	Yes
Snapshot	Yes
Audio	
Two-way Talk	Yes (noise reduction and echo cancellation)
Audio Input	1CH built-in MIC
Audio Output	Built-in speaker
Interface	
Network Interface	10/100Mbps self-adaptive Ethernet port x1
Alarm Input	2CH
Alarm Output	2 CH
Wiegand Interface	Wiegand input/output 26/34
RS485	RS485x1 (half duplex)
Door Lock Output	Relay output, NO/NC(optional), delay setting supported
SD Card Interface	1 micro SD card slot, up to 128G
USB Interface	USB x1
Anti-Tamper Interface	1 button
Exit Button	1
Reset Button	1
Others	
Power	12V @1A
Power Management	Screen sleep, screen protection
Power Consumption	<12W
Weight	Approx. 1.2KG
Installation	Wall Mounting Pole Mounting, Embedded Installation, Desktop
Protection	Surge Protection and Voltage Transient Protection
Certificate	CE, FCC
Environment Protection	Complies with Directive EU RoHS, WEEE(2012/19/EU), directive 94/62/EC and REACH(EC1907/2006)
Working Environment	32°F~ 104F (0°C~40°C) <95% (non-condensing)
Dimensions(mm)	11.88x5.45x1.34 In (301.8x138.6x34.2mm)